

Twin SECO Ni 40

Stroke 600mm



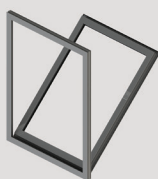
Chain Actuator / 230V ac / 400N

The Twin SECO Ni 40 is a certified and compliant Chain Actuator designed to provide precise and reliable operation for Environmental Ventilation applications.

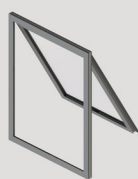
SE Controls manufacture this high-quality 'Made in Britain' actuator with the following features:

- 'Frequency of operation' data logging records every actuator movement
- Compact design with variable options for stroke length
- Standard finish is Grey RAL 9006, can be customised to suit requirements
- Standard flex length is 2m but this can be modified to suit installation requirements
- Extensive range of brackets to suit a variety of window systems
- Quiet operation with configurable speed control

Orientation



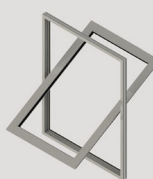
Bottom Hung



Top Hung



Side Hung

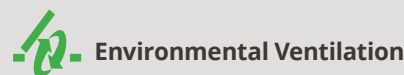


Centre Pivot

Accreditations



Applications



Associated Controls

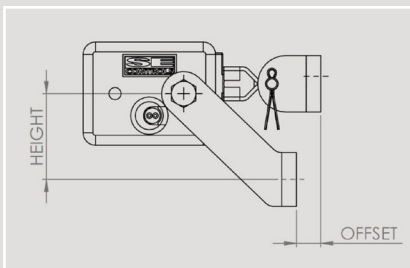
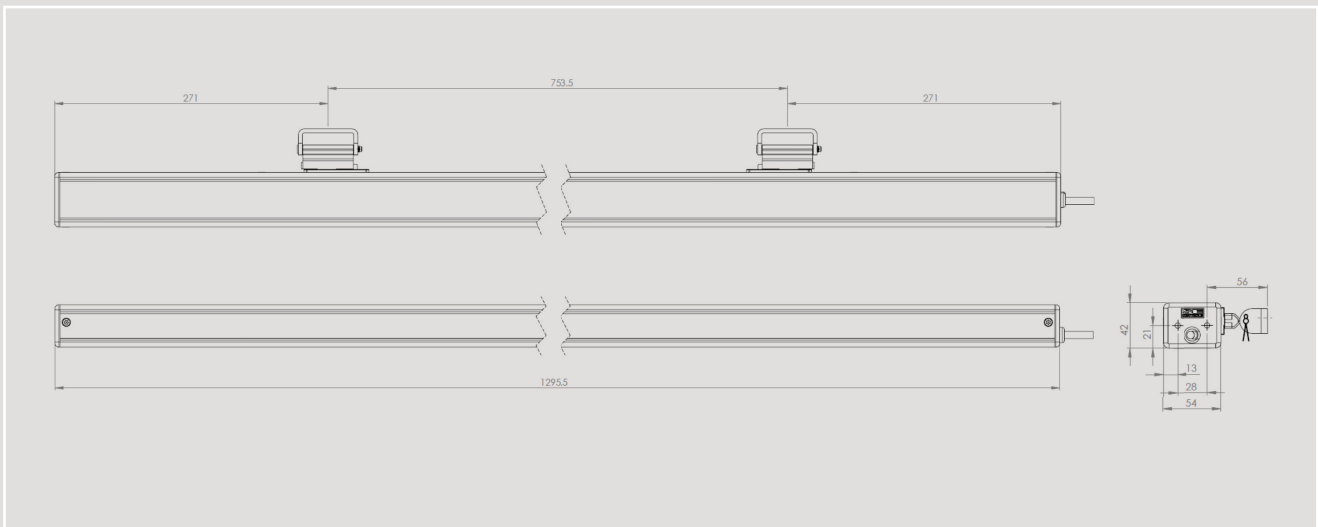
Controller	No. Actuators*
3 AMP Transformer	N/A
NVLogIQ PSU	N/A
SHEVTEC Controller	N/A
30 AMP PSU	N/A
OS2 AC Controller	8

*Recommended maximum no. of actuators



Voltage to 230V chain actuators must be switched off after each operation with a rest period required between cycles.

Technical Drawing



Bracket Product Codes

Offset (mm)	Height (mm)		
	35	40	50
0	AKS16000001	AKS16000002	AKS16000003
5	AKS16050001	AKS16050002	AKS16050003
8	AKS16080001	AKS16080002	AKS16080003
10	AKS16100001	AKS16100002	AKS16100003
15	AKS16150001	AKS16150002	AKS16150003
20	N/A	N/A	AKS16200003

Technical Data

Actuator	Twin SECO Ni 40
Actuator Type	230V ac Chain Opener
Voltage (all +/-5%)	230V ac
Current Draw (Amp)	0.5A
Stroke	0-600mm (configurable)
Operating Speed	15mm/sec min. 5mm/sec (configurable)
Ambient Operating Temp	-5°C to +60°C
Thrust Force	2 x 400N
Close Force	400N
Soft Close	Yes
Switching	Electronic
Standard Finish	Powder coated Grey (RAL 9006)
Seal Relief	Programmable up to 20mm
Clamping Force	2 x 400N
Colour Option	Other RAL colours available on request
Flex Length	2m
Flex Type	4 core PVC
Flex Colour	Grey
Product Warranty	15,000 cycles
Duty Cycle	22% (approx. 2 mins on, 7 mins off)
IP Rating	IP20
Bracket	Sill fixing/ open inward/ face fix bracket
Application	Environmental Ventilation

Product Codes

Silver Grey (RAL 9006)	Operating Voltage	Force	Stroke
DAST140600S	230V	400N	600mm